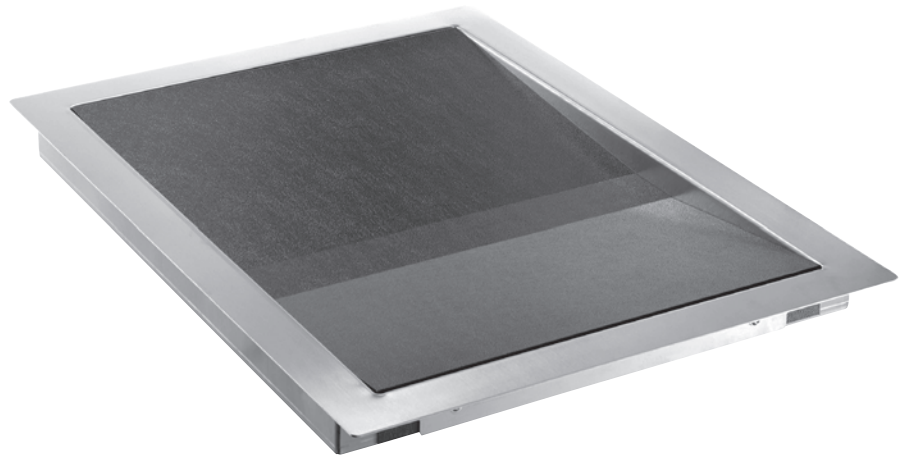
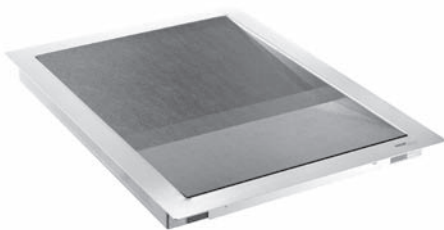


Model 10



Use

Model 10 is a flat receipt and payment tray that comes ready for installation. Ideally it should be used in indoor counter units. The tray is suitable for handing over receipts, documents and small amounts of loose change.



Safety and features

- Ready-for-mounting tray for handing over flat items such as files to a maximum size of DIN A3, receipts, documents, passports and rolls of coins up to 30 mm high.
- User-friendly edges for removing coins

Materials and use

- Flat tray consists of a black skin plate.
- Surround made out of 2 mm brushed stainless steel.
- All metal parts have been produced using state-of-the-art precision laser cutting technology for ultimate quality.
- Model 10 is best suited to internal use.
- This receipt and payment tray requires no maintenance. No need for cleaning or lubrication.

Payment trays

Outer dimensions

(all measurements in mm)

Model 10 A/B

Width: 450

Depth: 600

Height: 42

Tray clearance

Width: 370

Height: 30

Mounting: counter section

Model 10 A/B

535 x 435 x 40

Weight

13 kg

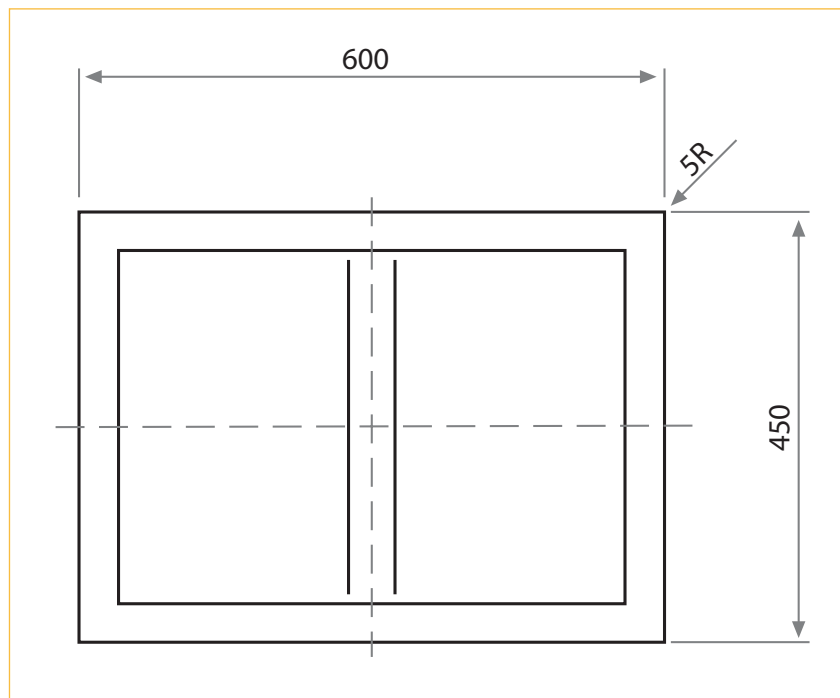
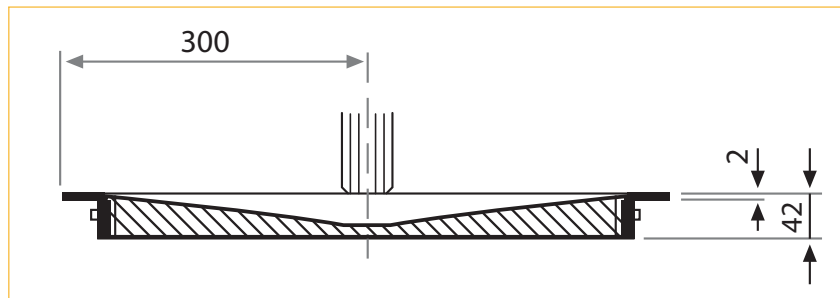
Miscellaneous

- The tray in Model 10 A is asymmetrical to fit into Model 40; the glass centres on a line 250mm from the end.
- The tray in Model 10 B is symmetrical to fit into Model 20; the glass centres on a line 300mm from the end.

Model 10

Installation and dimensions

The receipt and payment tray comes ready for mounting in prepared counter sections. The tray is mounted by inserting it into the recess in the counter from above.



Walter Wurster GmbH

Heckenrosenstraße 38

D-70771 Leinfelden-Echterdingen

Germany

Telefon: +49 (0) 711 / 9 49 62-0

Telefax: +49 (0) 711 / 7 97 72 90

e-mail: kontakt@IdeeninBlech.de

internet: www.IdeeninBlech.de